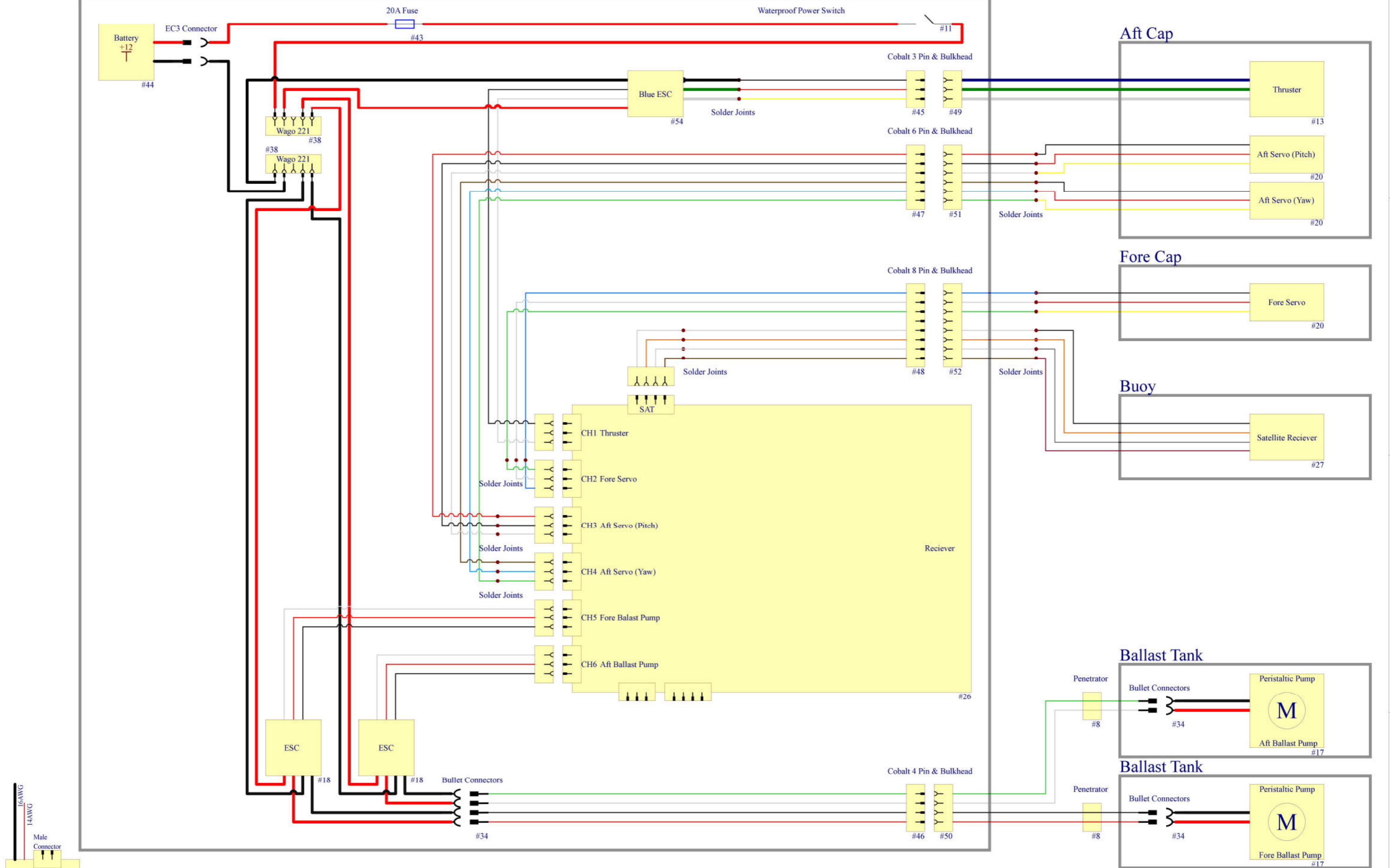


Power & Processing Module (PPM)



Legend for connectors and symbols:

- Male Connector
- Female Connector
- Solder Joint
- Bullet Connector

Component Name

Secondary Description

#Part Number

Title		
2021 REA Submarine Kit Schematic		
Size	Number	Revision
A3	1	1
Date:	4/05/2021	Sheet 1 of 1
File:	Submarine Schematic.SchDoc	Drawn By: Corey Crain