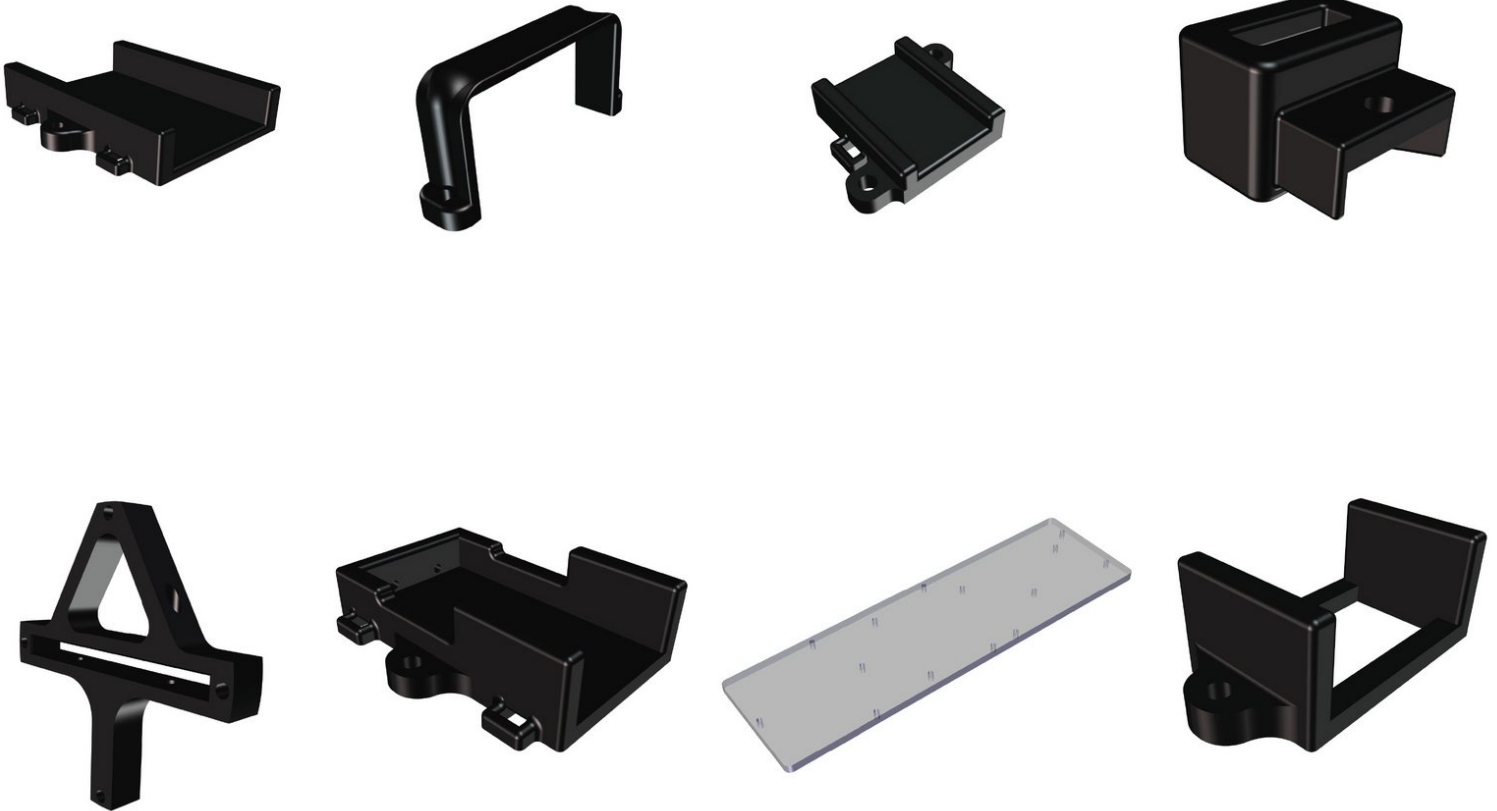




Components to be Manufactured

Written By: REA



 **TOOLS:**

- 3D Printer (1)
-

Step 1 — Components to be Manufactured



- [Battery Strap v1.0.stl](#)
- [Thruster ESC Mount v1.0.stl](#)
- [EC3 Connector Mount v1.0.stl](#)
- [Ballast ESC Dual Mount v1.0.stl](#)
- [Spektrum Receiver Mount v1.0.stl](#)
- [Wago 221 Mount v1.0.stl](#)
- [PPM Plate Clamp v1.0.stl](#)

Step 2 — Mounting Plate Support



- Once printed clean off any support material whether that be breakaway support or dissolvable support.
- ⓘ The part is now ready for the assembly guides.

Step 3 — Battery Strap



- ★ 2 of these are required for the PPM Assembly.
- Once printed clean off any support material whether that be breakaway support or dissolvable support.
- ⓘ The part is now ready for the assembly guides.

Step 4 — Ballast Tank ESC's Mount



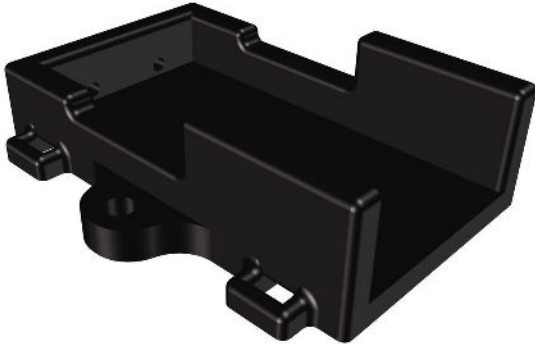
- Once printed clean off any support material whether that be breakaway support or dissolvable support.
- ⓘ The part is now ready for the assembly guides.

Step 5 — Thruster ESC Mount



- Once printed clean off any support material whether that be breakaway support or dissolvable support.
- ⓘ The part is now ready for the assembly guides.

Step 6 — Spektrum Receiver Mount



- Once printed clean off any support material whether that be breakaway support or dissolvable support.
- ⓘ The part is now ready for the assembly guides.

Step 7 — Wago 221 Mount



- Once printed clean off any support material whether that be breakaway support or dissolvable support.
- ⓘ The part is now ready for the assembly guides.

Step 8 — EC3 Connector Mount



- Once printed clean off any support material whether that be breakaway support or dissolvable support.
- ⓘ The part is now ready for the assembly guides.