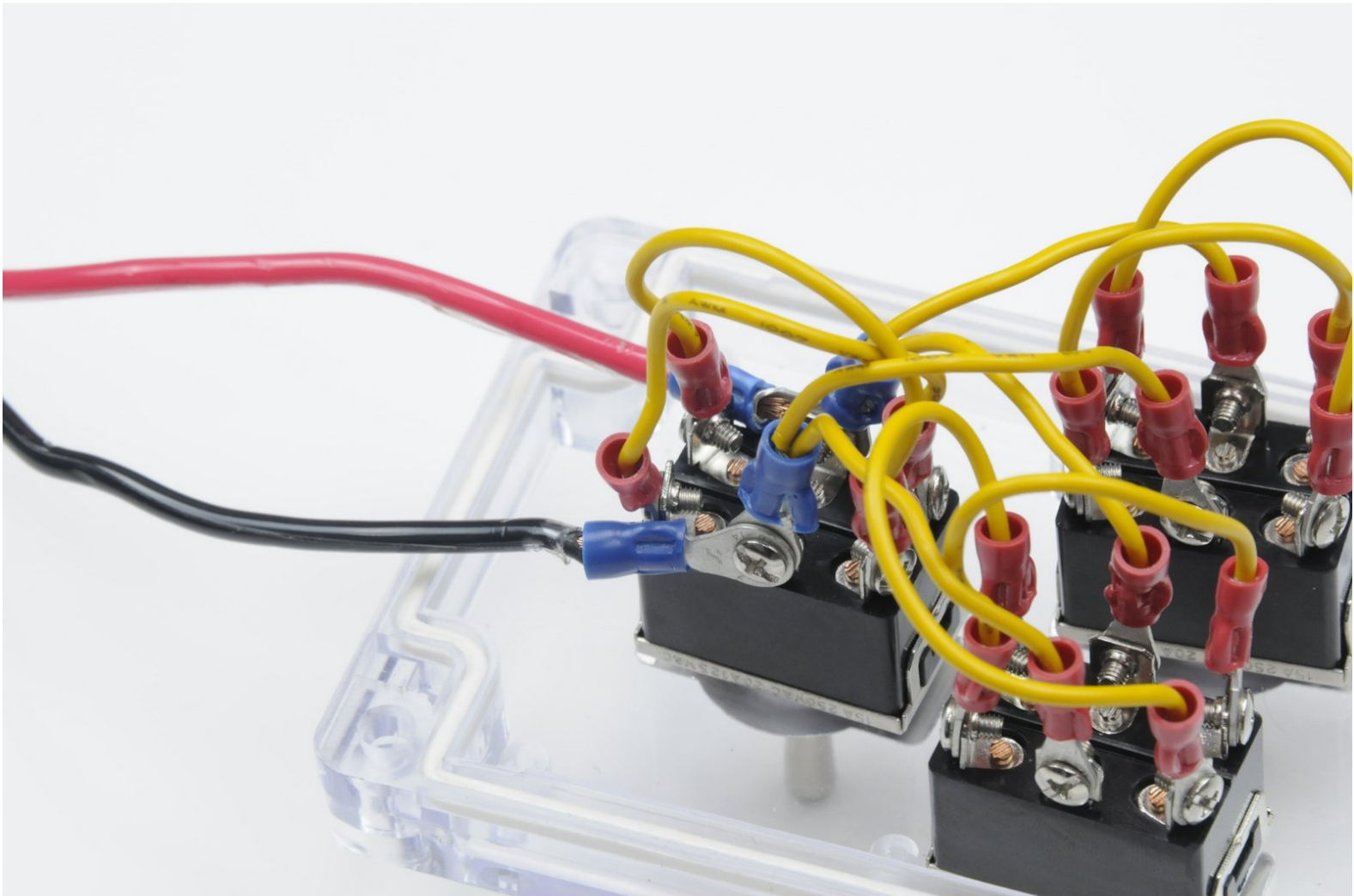


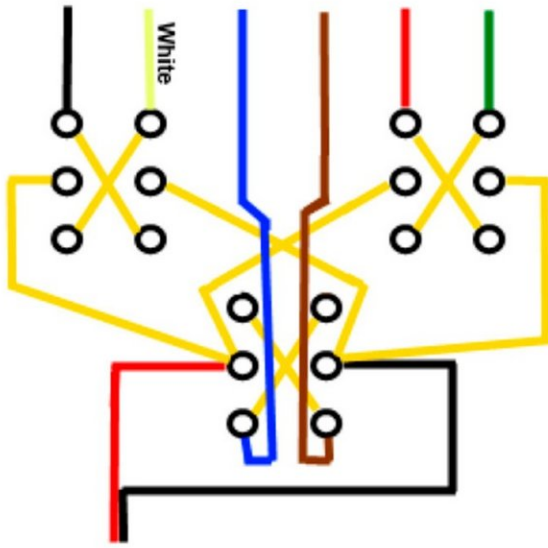


# Tether Wiring Scheme

Written By: REA



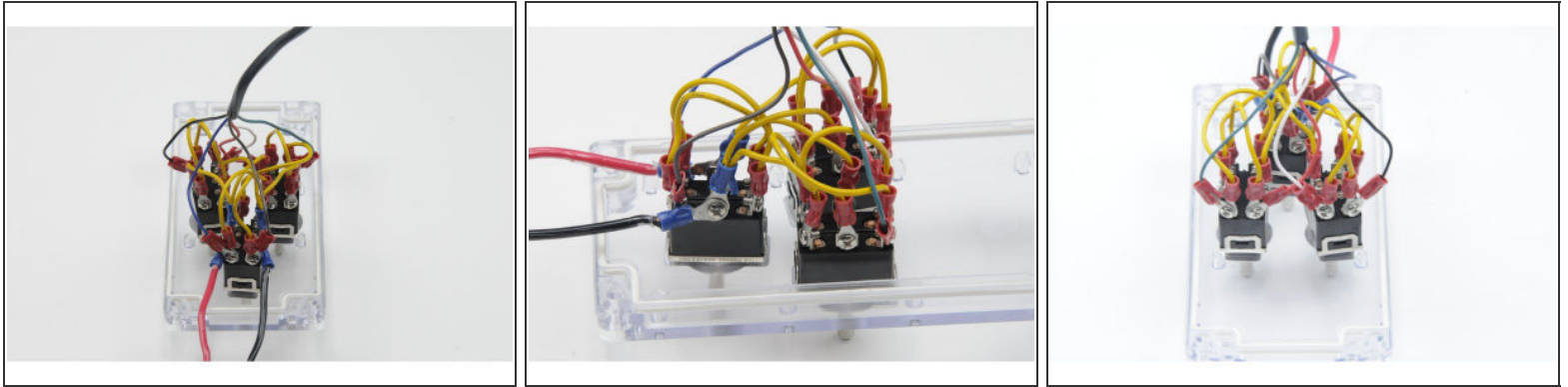
## Step 1 — Tether Wiring Scheme



	Switch	Tether wire color	Side of switch
<b>Motor 1</b>	<b>Left Horizontal</b>	<b>Red</b>	<b>Positive (red)</b>
		<b>Green</b>	<b>Ground (black)</b>
<b>Motor 2</b>	<b>Right Horizontal</b>	<b>Black</b>	<b>Positive (red)</b>
		<b>White</b>	<b>Ground (black)</b>
<b>Motor 3</b>	<b>Vertical</b>	<b>Blue</b>	<b>Positive (red)</b>
		<b>Brown</b>	<b>Ground (black)</b>

- At the controller box the green and red wires to the left horizontal switch. The black and white go to the right horizontal switch. The blue and brown wires go to the vertical switch.
- To determine the side of the switch to attached to, check the jumper wires. The jumper wires attached to the red power wire are the positive side, and the black, the negative.
- Black and white are on the right (Right Motor)
- Blue and brown is up and down (Vertical motor)
- Red and green are left over (Left motor)

## Step 2



- Unscrew, attach and re-screw the appropriate coloured tether wire and the wire making the X back into each position. Making sure to secure both wires.
- Repeat for all six coloured wires, referencing the wiring diagram on the previous page.